

# AISI304 PULL OUT SINK MIXER TAP

COMPLY WITH BS EN 817:2008  
 BSEN248:2002  
 AS/NZS:4020:2005  
 SS375:2015

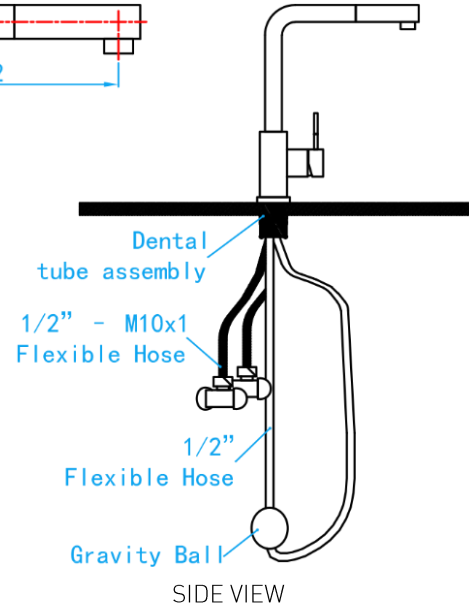
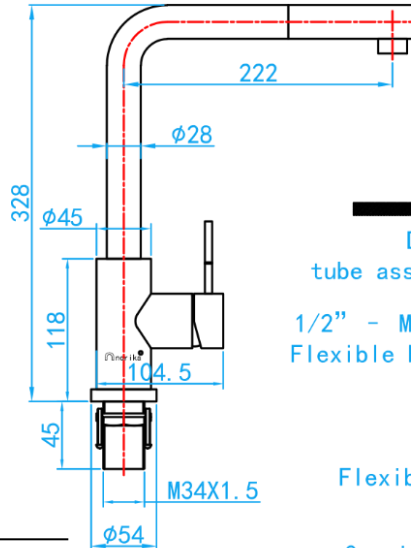
<b>MANUAL</b>	<b>ELECTRIC</b>	<b>Fl Thread</b>	<b>COMPRESSION</b>
<b>FLANGE</b>	<b>RINSED</b>	<b>MI Thread</b>	<b>SINK</b>

**Water Efficiency**

Water Consumption: 5.30 litres/min  
 Type of Product: Sink/Bb Taps and Mixers  
 Brand: Norika  
 Model: NSFK804G-2  
 Registration No.: SKT1BT-2020/030430/STL

**PUB** SINGAPORE'S NATIONAL WATER AGENCY

Actual water consumption may vary from test results. Compare all models at www.pub.gov.sg



COMPONENT PARTS

ITEM	PARTS	MATERIAL
1.	Faucet Body	AISI304
2.	Set Screw	AISI304
3.	O-ring	EPDM
4.	Valve	Brass
5.	Aerator	Brass/ EPDM/ POM
6.	Flexible Hose	AISI304/ EPDM

FRONT VIEW

SIDE VIEW

CHARACTERISTIC

- Freely pull out, hot and cold water mixer.
- Corrosion-resistant material.
- Easy installation and maintenance.

STANDARD SPECIFICATIONS

SKU	APPLICABLE WATER PRESSURE	WATER TEMPERATURE	ENVIRONMENTAL TEMPERATURE
NSFK804G	0.05~0.8MPa	20° -60°C	1~55°C

STANDARD SPECIFICATIONS

WATER SUPPLYING CALIBER	FLOW RATE litres / min	WEIGHT (kg)	PCS/CTN
1/2" BSP	5.5	2.450	1